

1-877-903-7246

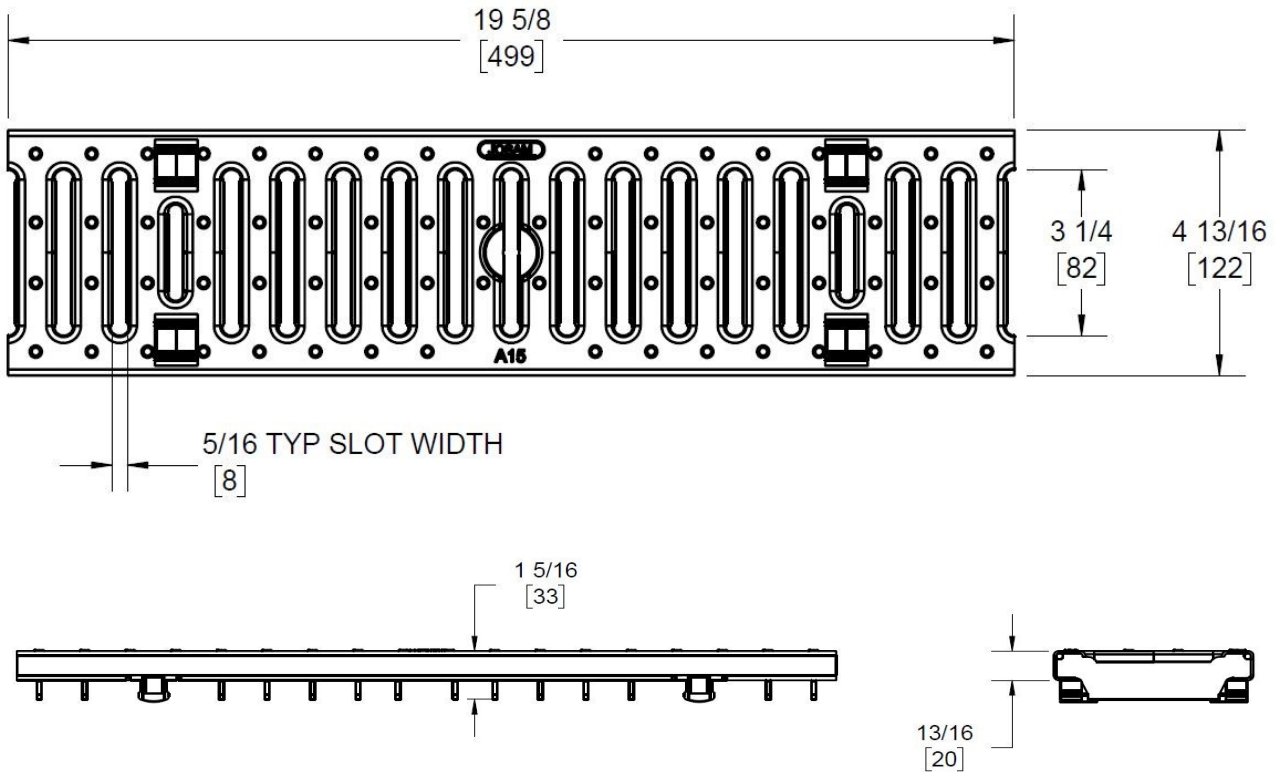


www.trenchdrainsupply.com

<p>Number</p> <p style="text-align: center;">100-SSS-C-PS</p>	<p>Series</p> <p style="text-align: center;">CPS100</p> <p style="text-align: center;">C Class Stainless Steel Slotted Grate</p> <p style="text-align: center;">Pro Plus 100</p>
---	--



NOTE:
 FREE AREA IS 16.5 SQ. IN.
 PER 1/2 METER GRATE



<p>Manufacturer</p>	<p>Specification</p> <p>JOSAM 100-SSS-C-PS STAINLESS STEEL (304) SLOTTED GRATE WITH PRO-SNAP™ SECUREMENT. MEETS CLASS C LOADING REQUIREMENTS. MEETS ADA AND HEELPROOF SLOT REQUIREMENTS. SUPPLIED BY TRENCH DRAIN SUPPLY.</p>
----------------------------	--

DISCLAIMER - The customer and the customer's architects, engineers, consultants, and other professionals are completely responsible for the selection installation and maintenance of any product purchased from Trench Drain Supply and/or its manufacturers. TRENCH DRAIN SUPPLY MAKES NO WARRANTY, EXPRESS OR IMPLIED, AS TO THE SUITABILITY, DESIGN, MERCHANTABILITY, OR FITNESS OF THE PRODUCT FOR CUSTOMERS APPLICATION. The drawing and information provided remain the property and copyright of the manufacturer listed. The manufacturer reserves the right to modify specification without notice.